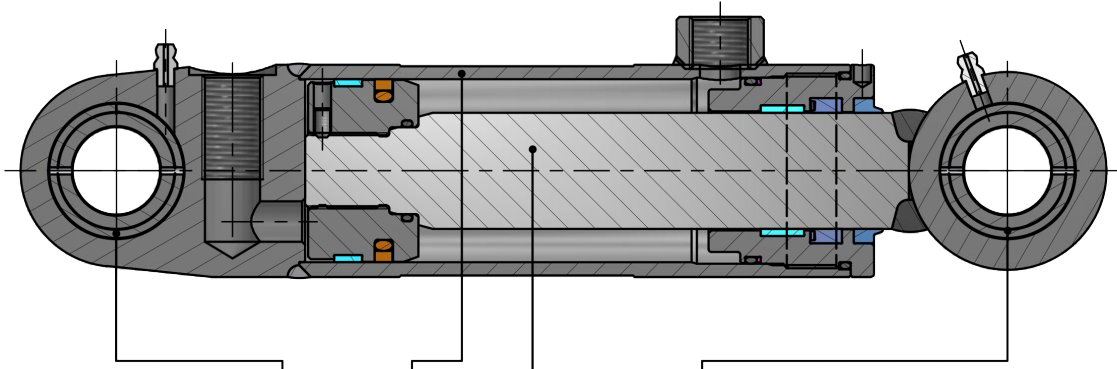


# How to order



F1 - X - X - D / d x Stroke - X - X - X - (X)

Type	Pistonrodmounting	SP - Special Not stand. mess. from katalog
Rearmounting	Sealing type	Pistonrodmaterial R = (Stainless steel)
Function E - D E = Single-acting D = Double-acting	Pistonroddiameter	
Cylindertubediameter		

## Rearmounting:

- S** Spherical bearing
- C** Spherical composite bearing
- V** Trunnion mount

## Pistonrodmounting:

- S** Spherical bearing
- C** Spherical composite bearing
- AC** Spherical composite bearing adjustable
- GV** Thread

## Sealing type

- 1** Standard, Polyurethan/Nitril
- 2** Low friction, PTFE (Bronze) / Nitril
- 3** High temp. PTFE (Bronze) / Viton
- 4** PTFE (carbon) / Viton
- 5** Special material qualities can be delivered on request

### Quality Control



### Advanced test equipment

