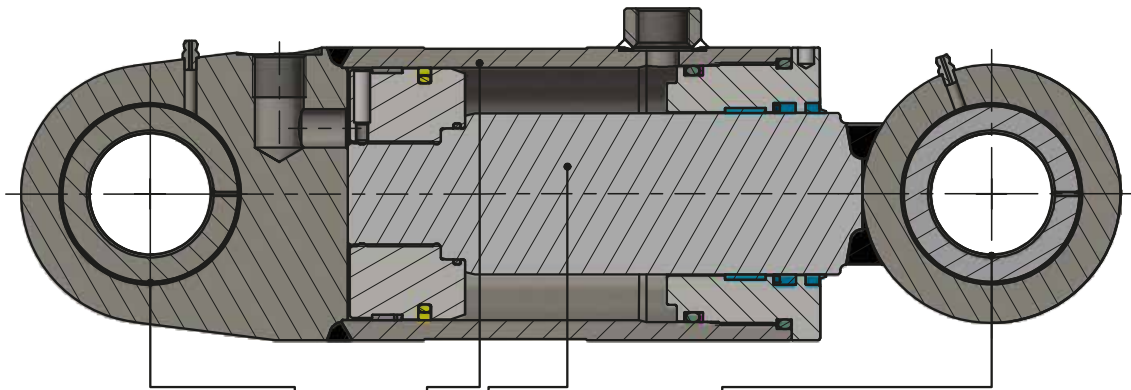


# How to order



F1 - X - X - D / d x Stroke - X - X - X - (X)

Type

Rearmounting

Function E - D  
E = Single-acting  
D = Double-acting

Cylindertubediameter

Pistonrodmounting

Sealing type

Pistonroddiameter

SP - Special  
Not stand. mess. from katalog

Pistonrodmaterial **R** = (Stainless steel)

## Rearmounting:

<b>S</b>	Spherical bearing
<b>C</b>	Spherical composite bearing
<b>V</b>	Trunnion mount
<b>FFL</b>	Front Flange

## Pistonrodmounting:

<b>S</b>	Spherical bearing
<b>C</b>	Spherical composite bearing
<b>AC</b>	Spherical composite bearing adjustable
<b>GV</b>	Thread

## Sealing type

<b>1</b>	Standard, Polyurethan/Nitril
<b>2</b>	Low friction, PTFE (Bronze) / Nitril
<b>3</b>	High temp. PTFE (Bronze) / Viton
<b>4</b>	PTFE (carbon) / Viton
<b>5</b>	Special material qualities can be delivered on request

## Quality Control



## Advanced test equipment

